

E	-	-	-
D	-	-	-
C	-	-	-
B	-	-	-
A	ISSUED FOR CLIENT APPROVAL	AB	15-12-08
REV.	COMMENT	DR'N	DATE

COPYRIGHT
 THIS DRAWING REMAINS THE PROPERTY OF:
 BERRY DESIGN P/L
 THE CONTENTS OF THIS DRAWING IS STRICTLY CONFIDENTIAL AND MAY NOT BE REPRODUCED, IN WHOLE OR PART, WITHOUT WRITTEN APPROVAL OF THE OWNER.

SHEET SIZE
A3
 THIRD ANGLE PROJECTION



TITLE
2500L SLIMLINE TANK

TOLERANCE UNLESS OTHERWISE STATED:

MATERIAL	Alkatuff LL 711UV polyethylene
FINISH	POLISHED

SCALE
1:1

CUSTOMER
Q TANK

DRAWING No.
1207-001 IND

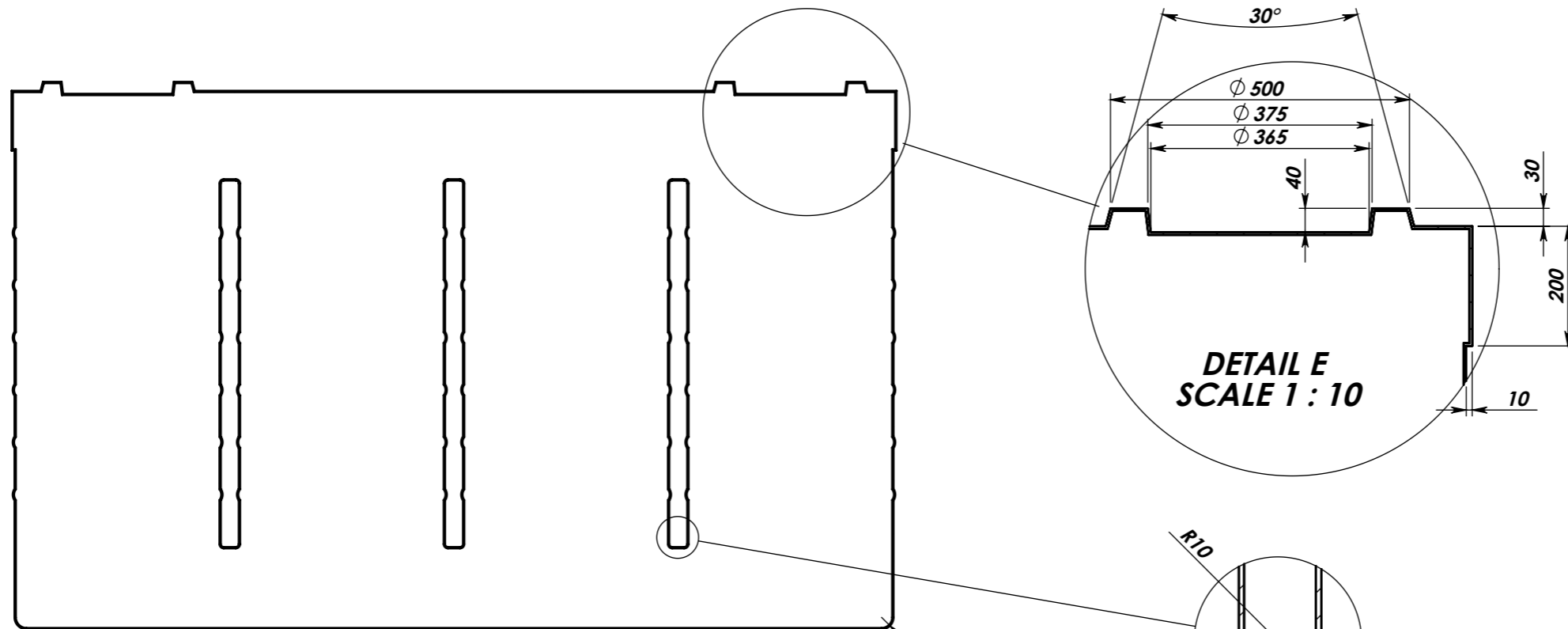
REVISION
A

SHEET No.
1 OF 3

CAD FILE NAME
 1207-001-A_QTank 2500L slimline skinny

1 2 3 4 5 6 7

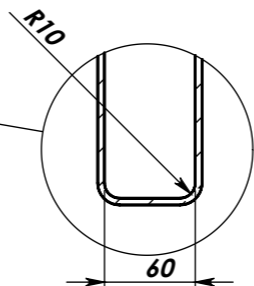
A



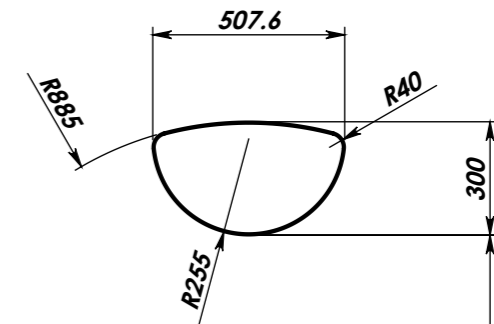
SECTION A-A
SCALE 1 : 20

R40 KNUCKLE

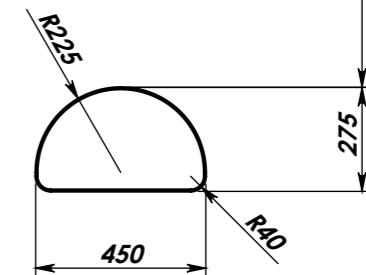
DETAIL E
SCALE 1 : 10



DETAIL G
SCALE 1 : 5

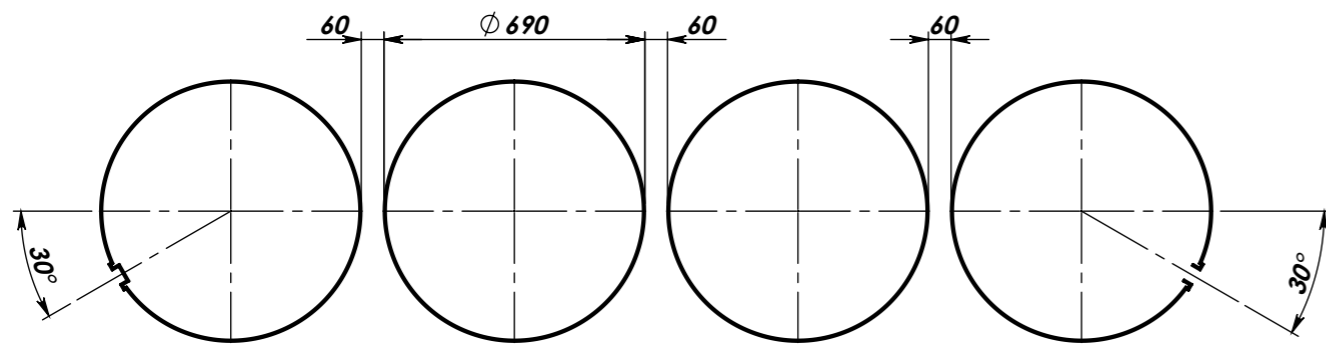


SECTION B-B



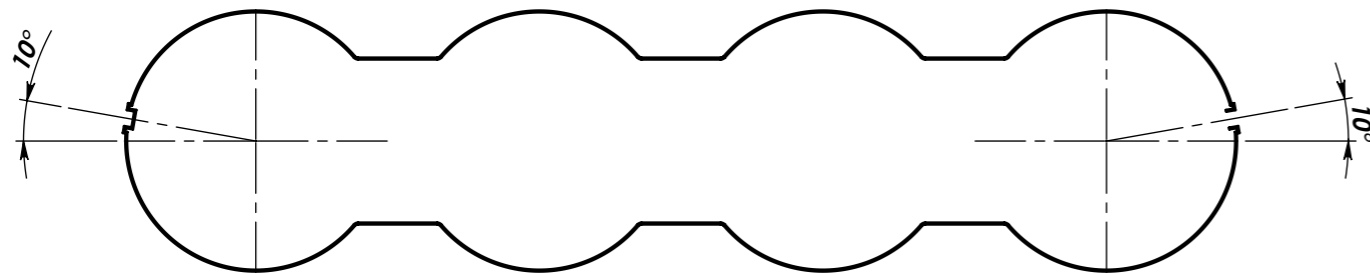
B

C



SECTION C-C

D



SECTION D-D

E

1

2

3

4

5

6

7

1 2 3 4 5 6 7

A

A

B

B

C

C

D

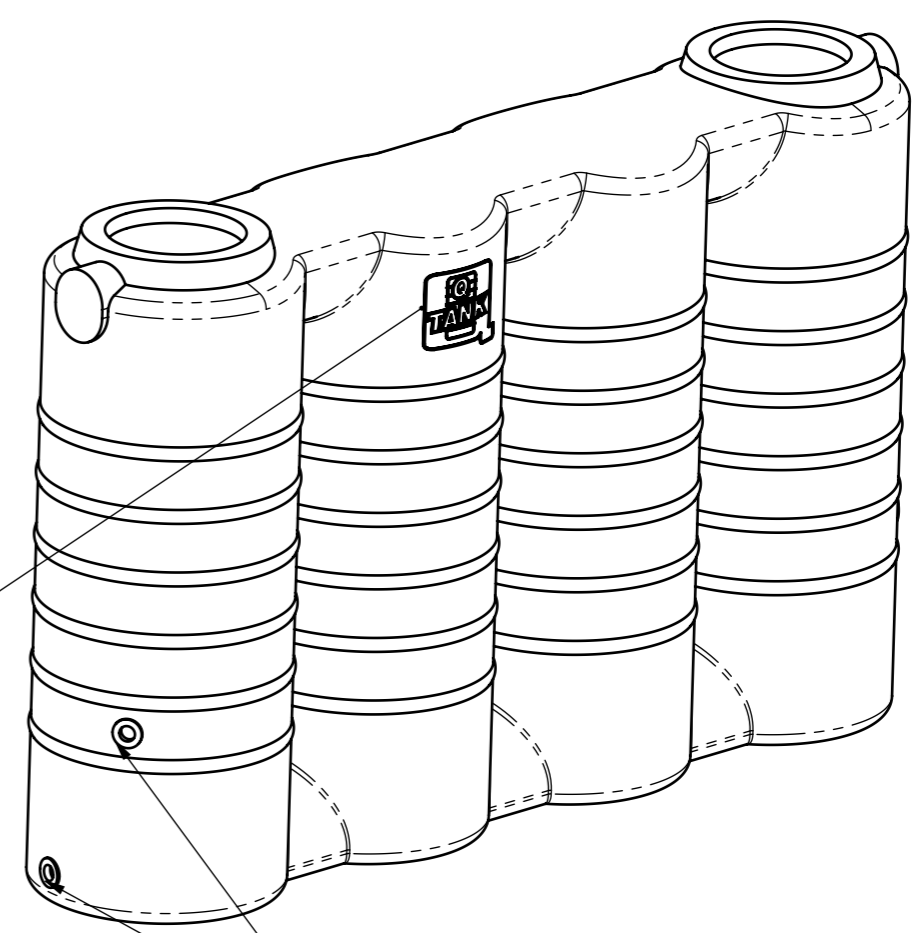
D

E

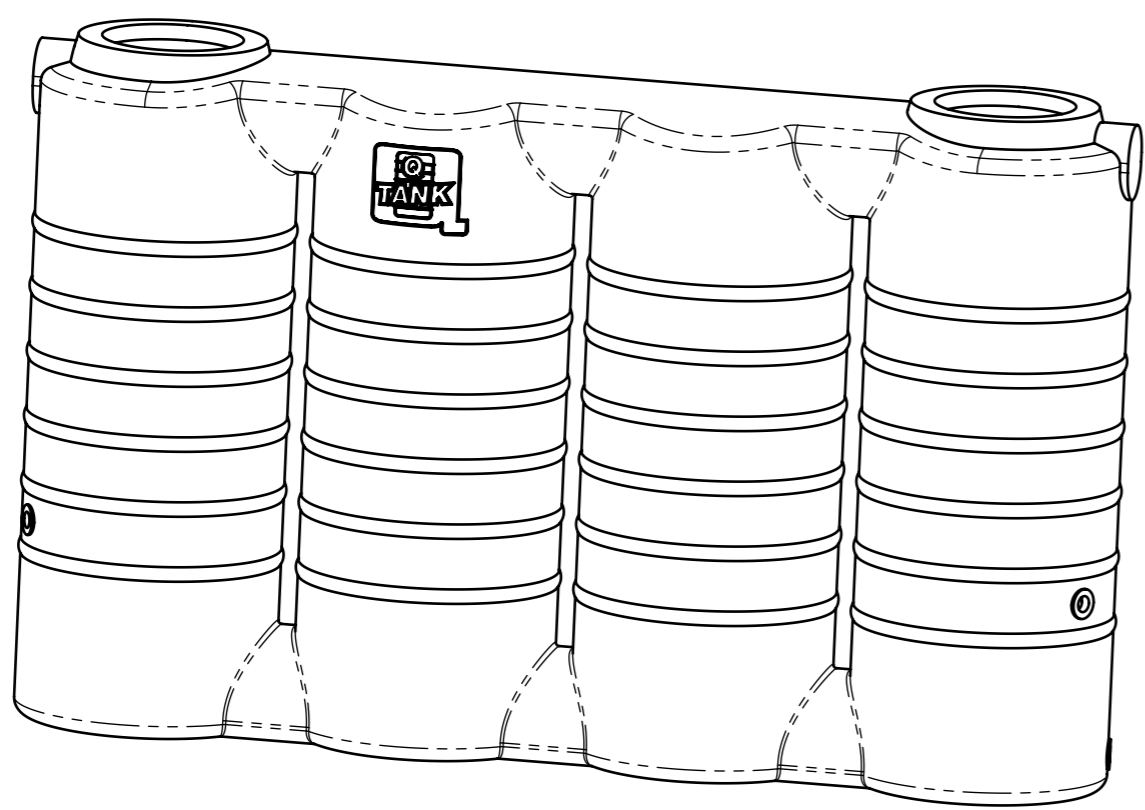
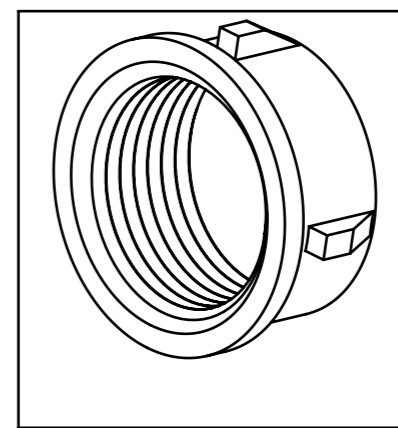
E



QTANK LOGO ENGRAVED PLATE
 TO BE WELDED SEAMLESSLY INTO
 MOULD AS POSITIONED
 1 PLACE ONLY
 (DXF FILE FOR ENGRAVING
 AVAILABLE UPON REQUEST)



1" BSP INSERT 4 PLACES



1 2 3 4 5 6 7